

BMW R 1200 R
from date of manufacture 2015

Alurack

Item.-no.: 650.676 01 01 black

Easyrack

Item.-no.: 661.676 01 01 black

- in connection with Original
BMW Top case holder only

- Side cases
- Top cases
- luggage frames
- Lock it system
- Softbags
- Aluminium luggage
- Leather luggage
- Protection bars
- Center stands
- Chopper parts
- Accessories



Alurack:



Easyrack:



PEIA International
Peitzmeier Co.

BMW R 1200 R
from date of manufacture 2015

Alurack

Item.-no.: 650.676 01 01 black

Easyrack

Item.-no.: 661.676 01 01 black

- in connection with Original
BMW Top case holder only

Side cases
Top cases
luggage frames
Lock it system
Softbags
Aluminium luggage
Leather luggage
Protection bars
Center stands
Chopper parts
Accessories



Kit

1x 700008820 Adapter plate

When ordering a Alurack:

1 700006881 contains:
1 799.901HB alu-rack
1 799.902HB bow for Alu-rack
1 799.903HB plastic cover for rack

When ordering a Easyrack:

1 700008650 Easyrack
1 700008647 plastic cover left
1 700008648 plastic cover right

1x 700008821 Screw kit:

4x countersunk screw M6 x 25
4x allen screw M6 x 20
4x allen screw M6 x 12
4x special washer 20 x 20 x ø6,4
4x washer ø6,4
4x self lock nut M6



combinable with Lock it side carrier 650676.0001

Tools required

Allen key 4
Allen key 5
Torx T15
Torx T30

Note

Design for Original BMW top case rack - if the top case rack is not available we offer our Alu- and Easyrack in a version with a substructure of its own. Item-no: 650.676 0101 / 661.676 0101

Installation note:

Of course, the assembly requires a certain technical experience. If you are not sure how to execute a determined action, you should ask your local distributor to do it.

First, tighten all screws only loosely. After mounting all parts, the screws should be tightened to the torque specified. This guarantees, that the product is mounted without tension.

Observe the tightening torques of the motorcycle manufacturer!
Control all screw connections after the assembling for tightness!
Please notice our enclosed service information.

BMW R 1200 R
from date of manufacture 2015

Alurack

Item.-no.: 650.676 01 01 black

Easyrack

Item.-no.: 661.676 01 01 black

- in connection with Original
BMW Top case holder only

Side cases

Top cases

luggage frames

Lock it system

Softbags

Aluminium luggage

Leather luggage

Protection bars

Center stands

Chopper parts

Accessories



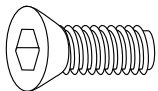
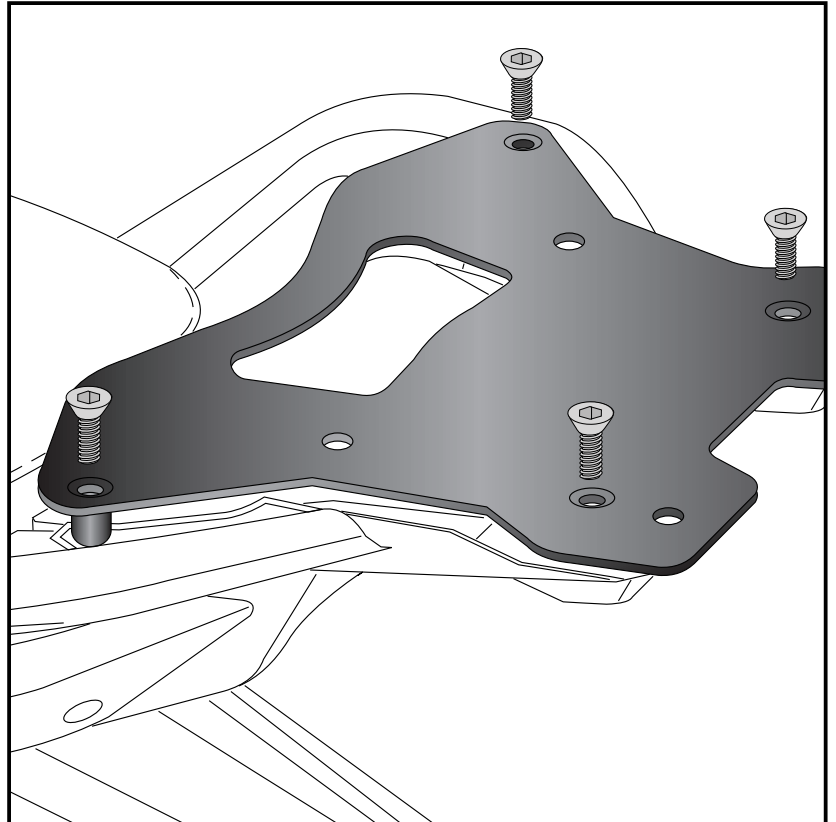
Preparing:

Dismantle plastic palette of the
original rear rack - palette is obsolete.

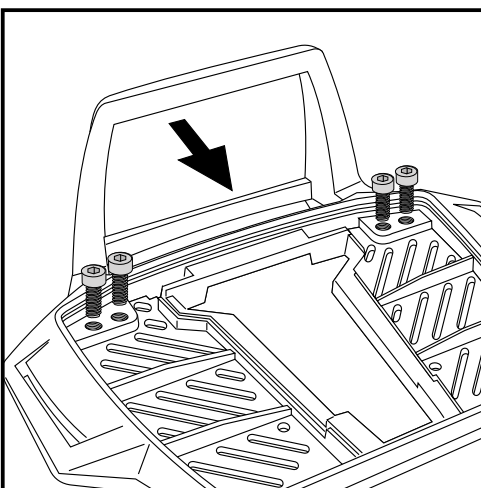
Fastening of the adapter plate:

at the free borings of the original rear
rack with countersunk screws M6x25.

1



4x



2

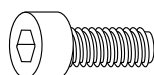
for Alurack mounting only !
Easyrack go to step 5:

Fastening of the bow for the rack:

Fix the bow to the rack with allen screws M6 x 12.

NOTICE:

The bow is only needed in use with a Hepco & Becker topcase.



4x

BMW R 1200 R
from date of manufacture 2015

Alurack

Item.-no.: 650.676 01 01 black

Easyrack

Item.-no.: 661.676 01 01 black

- in connection with Original
BMW Top case holder only

Side cases

Top cases

luggage frames

Lock it system

Softbags

Aluminium luggage

Leather luggage

Protection bars

Center stands

Chopper parts

Accessories



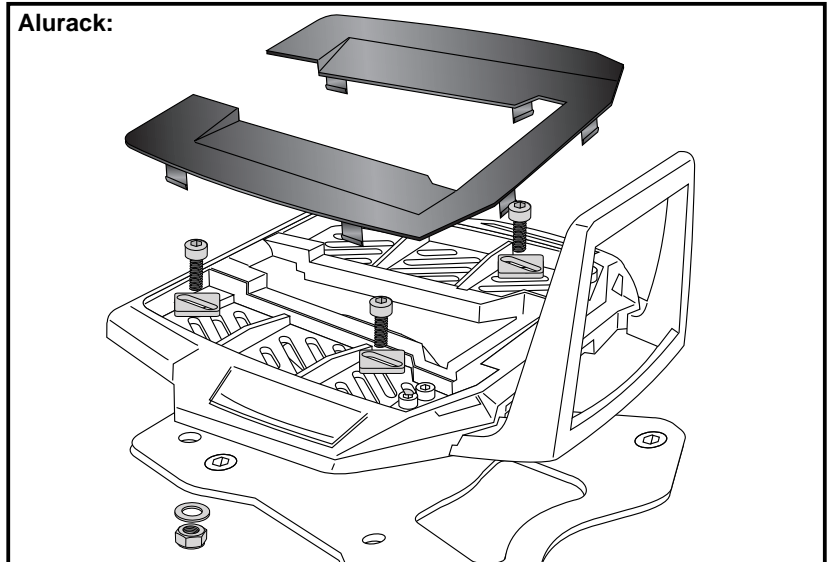
Fastening of the Alurack:
Front with allen screws M6 x 20 and special washer 20 x 20 x ø6,4.
Rear with allen screws M6 x 20, special washer 20 x 20 x ø6,4, washers ø6,4 and self-lock nuts M6.

Mount the plastic cover.

- 4x Allen screws
- 2x Special washers
- 2x Washers
- 4x Self-lock nuts
- 4x Plastic covers

3

Alurack:



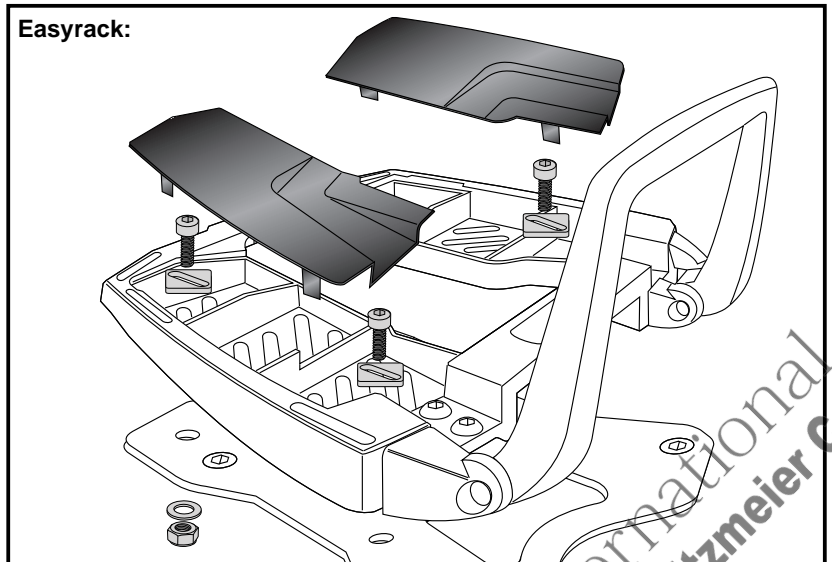
Fastening of the Easyrack:
Front with allen screws M6 x 20 and special washer 20 x 20 x ø6,4.
Rear with allen screws M6 x 20, special washer 20 x 20 x ø6,4, washers ø6,4 and self-lock nuts M6.

Mount the plastic cover.

- 4x Allen screws
- 2x Special washers
- 2x Washers
- 4x Self-lock nuts
- 4x Plastic covers

4

Easyrack:



Also available:

Side carrier (Lock it System, removable)
Enlargement (for original rear rack)
Engine guard

650.676 00 01
800.676
501.676 00 01

More accessories: see our homepage.



Hepco & Becker GmbH
An der Steinmauer 6
D-66955 Pirmasens
Germany

Tel.: +49 6331 - 1453 - 100
Fax: +49 6331 - 1453 - 120
eMail: vertrieb@hepco-becker.de
www.hepco-becker.de