

BMW S 1000 XR
from date of manufacture 2015

Alurack
for Original Topcase carrier
Item.-no.: 655675 01 01 black

Easyrack
for Original Topcase carrier
Item.-no.: 662675 01 01 black



Assembling instructions

Easyrack (Alurack without picture)



Notice

Mountable in connection with original BMW Topcase holder only!

To fix the countersunk screws M6x30 screw locking "Loctite 243 medium strength" is required.

Installation note:

Of course, the assembly requires a certain technical experience. If you are not sure how to execute a determined action, you should ask your local distributor to do it.

First, tighten all screws only loosely. After mounting all parts, the screws should be tightened to the torque specified. This guarantees, that the product is mounted without tension.

Observe the tightening torques of the motorcycle manufacturer!
Control all screw connections after the assembling for tightness!
Please notice our enclosed service information.

Kit

1 700009093 Adapter plate black

When ordering a Alurack:

1 700006881 contains:
1 799.901HB alu-rack
1 799.902HB bow for Alu-rack
1 799.903HB plastic cover for rack

When ordering a Easyrack:

1 700008650 Easyrack
1 700008647 plastic cover left
1 700008648 plastic cover right
1 700009094 Screw kit:
4x countersunk screw M6x30
4x allen screw M6 x 20
4x allen screw M6 x 12
2x special washer 20 x 20 x ø6,4
4x washer ø6,4
2x self lock nut M6



combinable with Original BMW side carrier

combinable with Lock it side carrier 650675.0001
or C-Bow softbag holder 630675.0001

Tools required

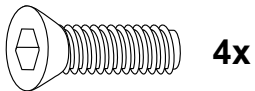
Allen key 4/5
Wrench 10
Torx T30

Preparing:

Dismantle the 4 screws of the original topcase holder - screws are obsolete.

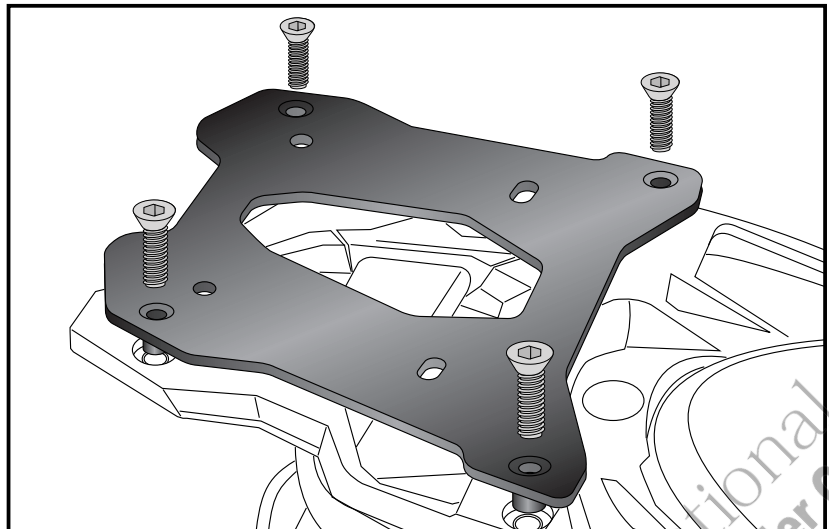
Fastening of the adapter plate:

at the now free borings. Use allen screws M6x30 and Loctite 243.



4x

1



2

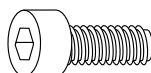
for Alurack mounting only !
Easyrack go to step 4:

Fastening of the bow for the rack:

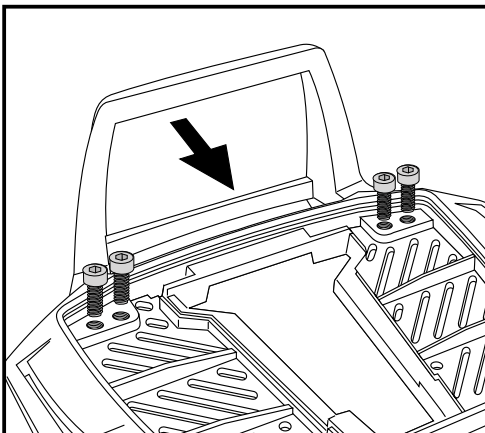
Fix the bow to the rack with allen screws M6 x 12.

NOTICE:

The bow is only needed in use with a Hepco & Becker topcase.



4x



Fastening of the Alurack:

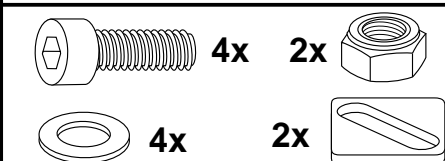
front ①

with allen screws M6 x 20 and washers
ø6,4 and self-lock nuts M6.

Rear ②

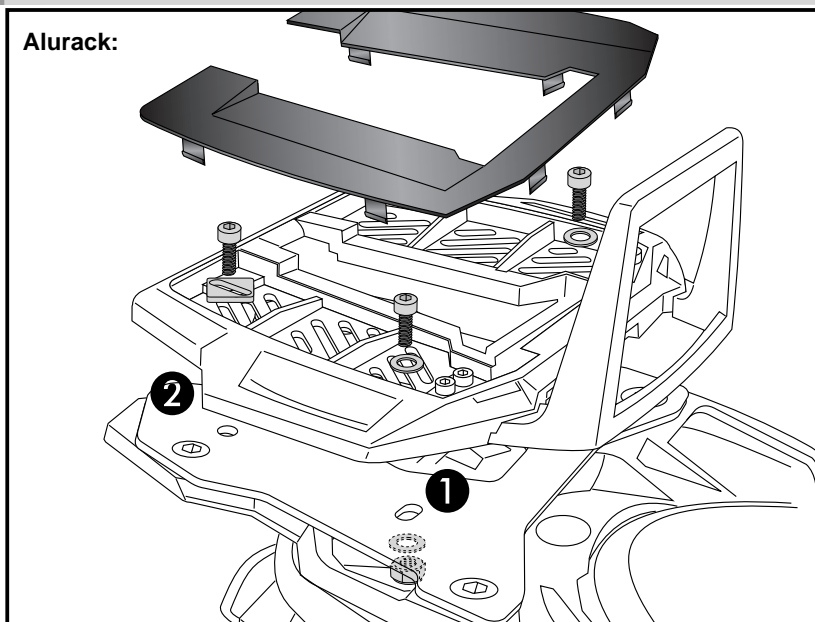
with allen screws M6 x 20 and special
washer 20 x 20 x ø6,4 in the threads of
the adapter plate.

Mount the plastic cover.



3

Alurack:



Fastening of the Easyrack:

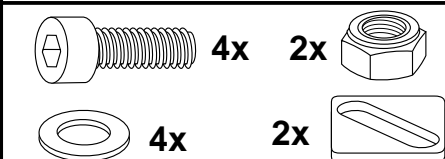
front ①

with allen screws M6 x 20 and washers
ø6,4 and self-lock nuts M6.

Rear ②

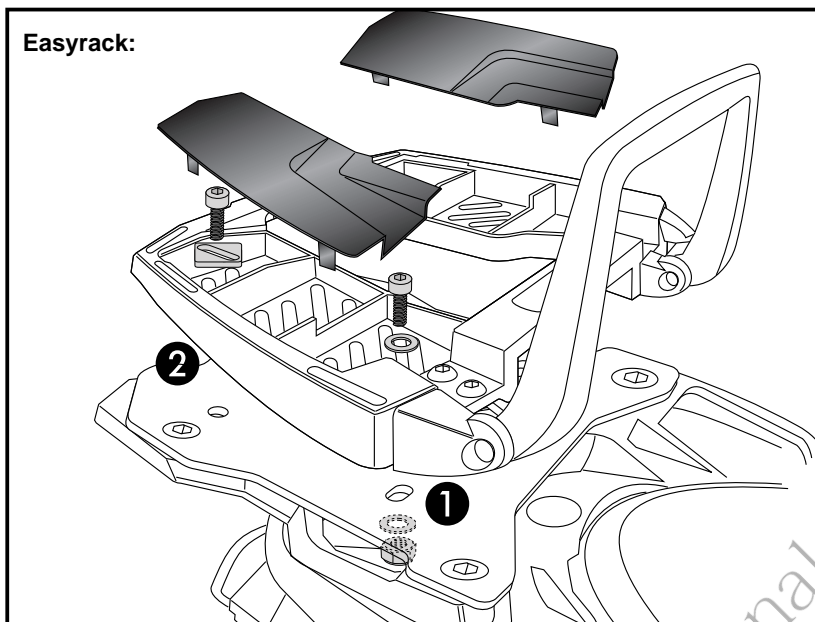
with allen screws M6 x 20 and special
washer 20 x 20 x ø6,4 in the threads of
the adapter plate.

Mount the plastic covers.



4

Easyrack:



Also available:

Side carrier (Lock it System, removable)
C-Bow Softbag holder
Engine guard
Tankring

650675 00 01
630675 00 01
501675 00 01
506003-6

More accessories: see our homepage.



Hepco & Becker GmbH
An der Steinmauer 6
D-66955 Pirmasens
Germany

Tel.: +49 6331 - 1453 - 100
Fax: +49 6331 - 1453 - 120
eMail: vertrieb@hepco-becker.de
www.hepco-becker.de